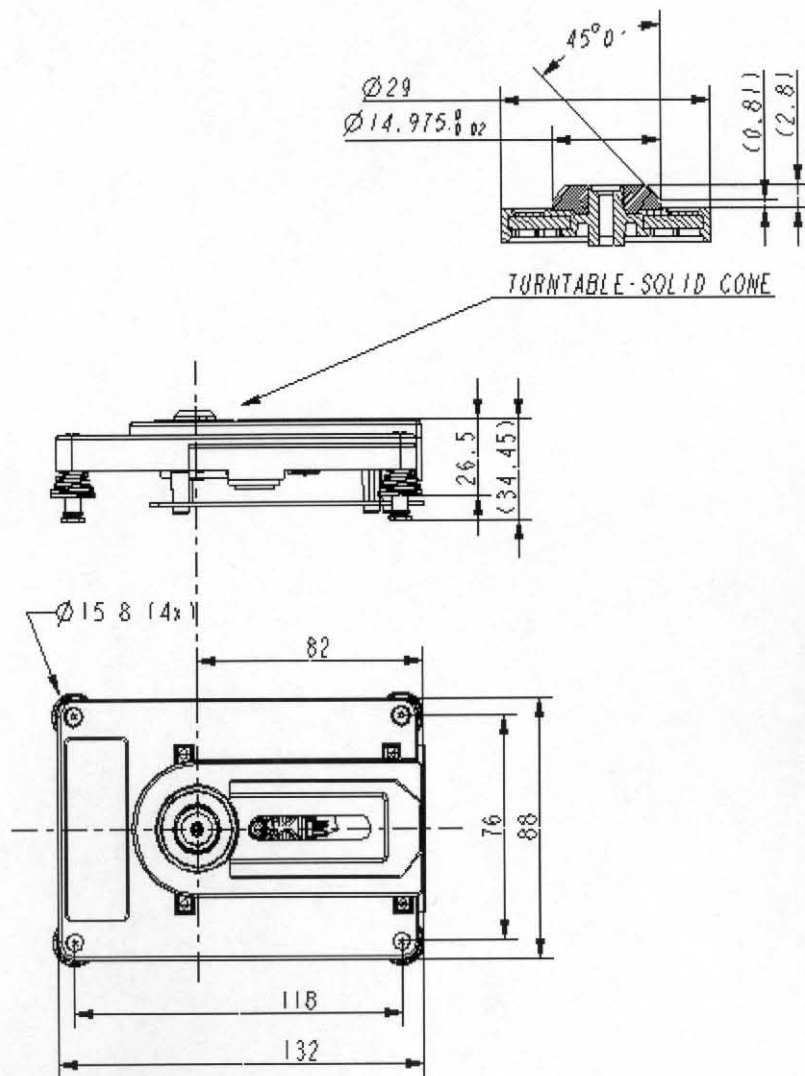
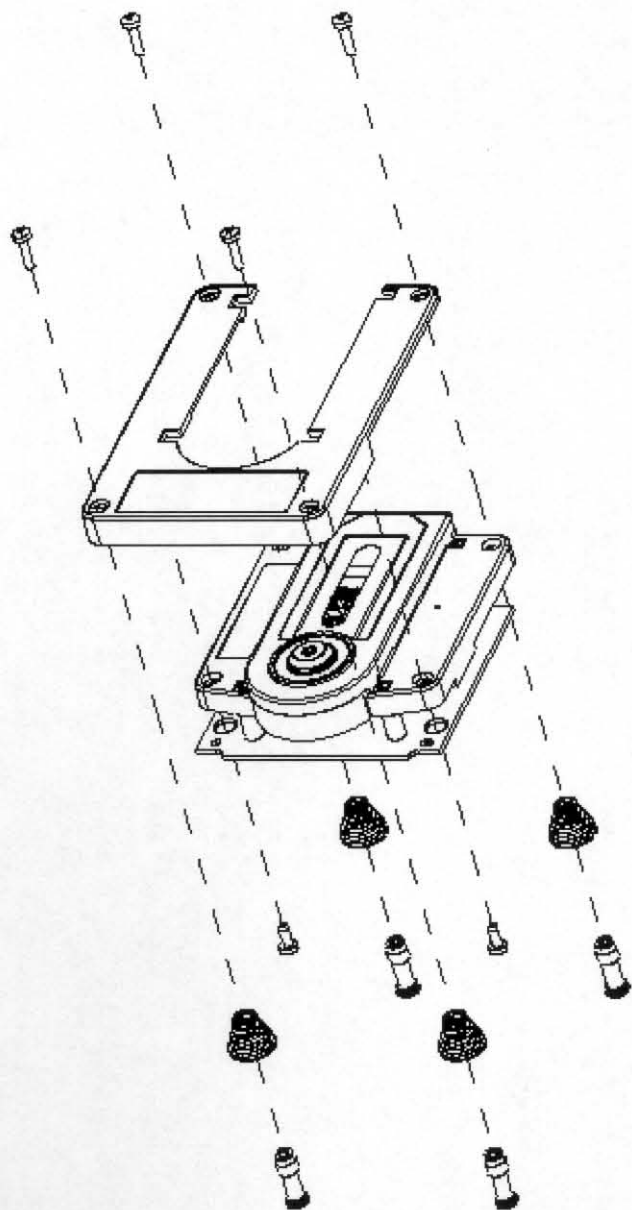


Fig 8: Dimension sketch





Exploded view CD mechanism

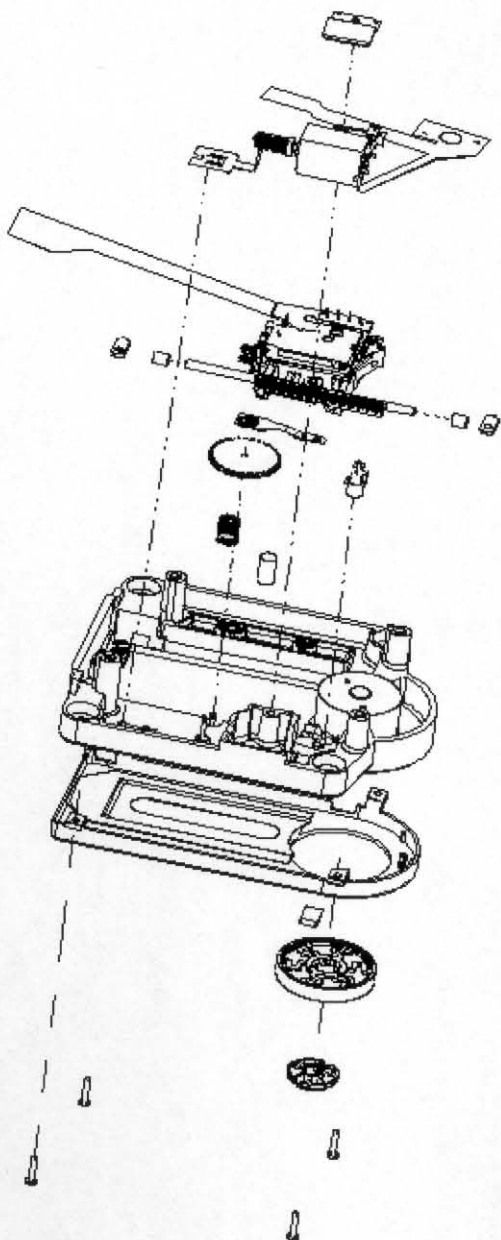


Fig 6a: Recommended Suspension

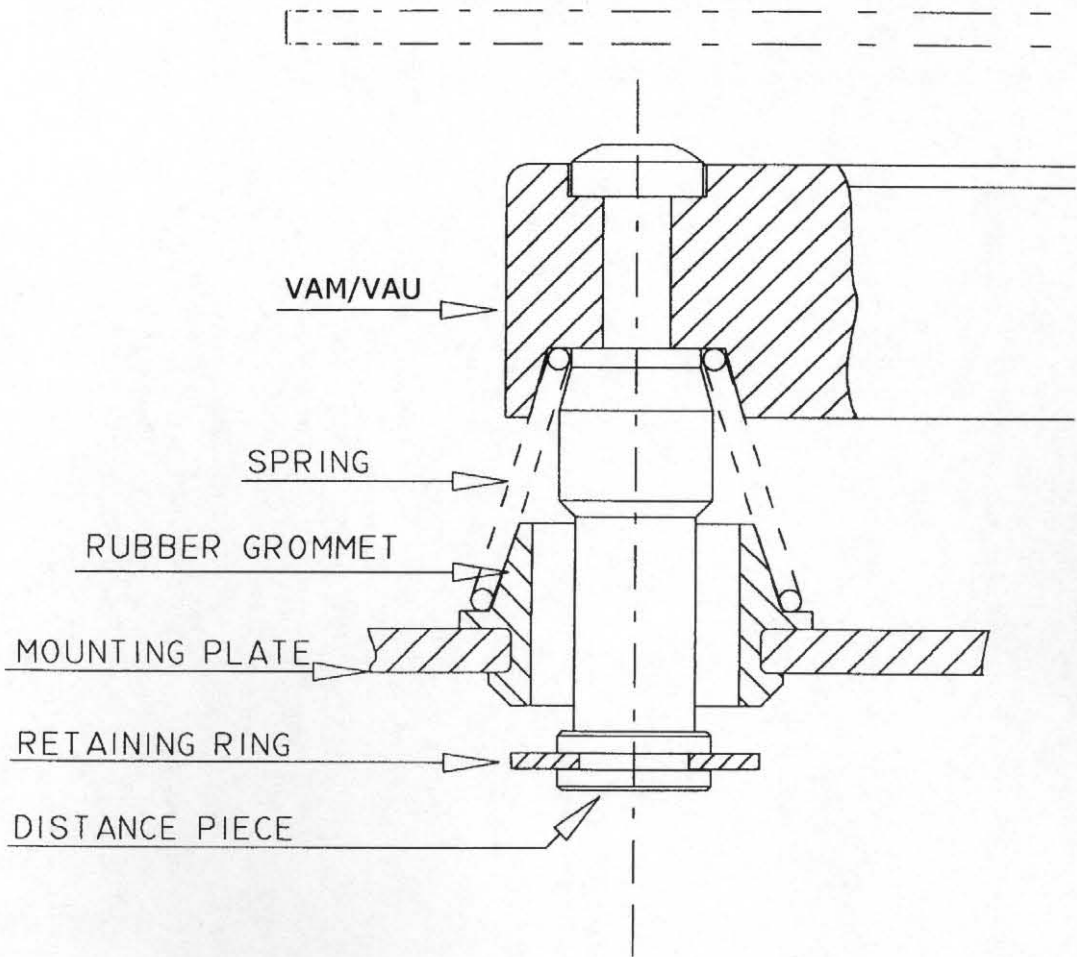
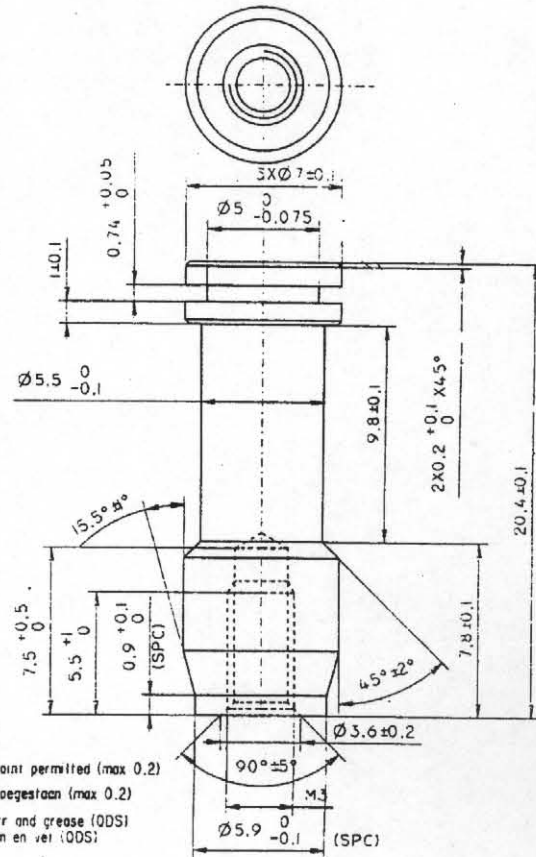
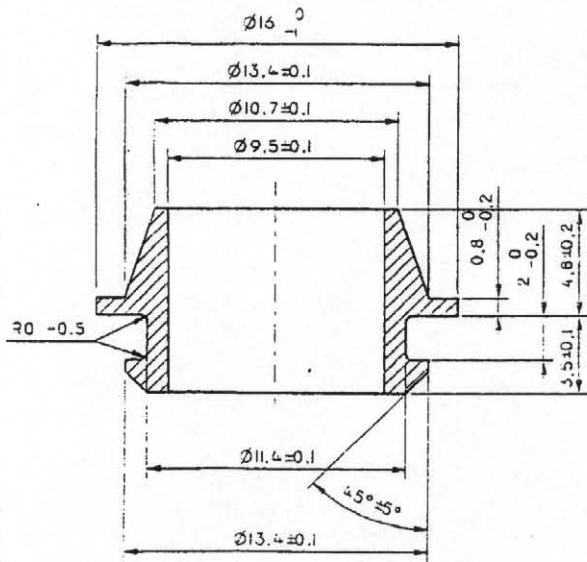
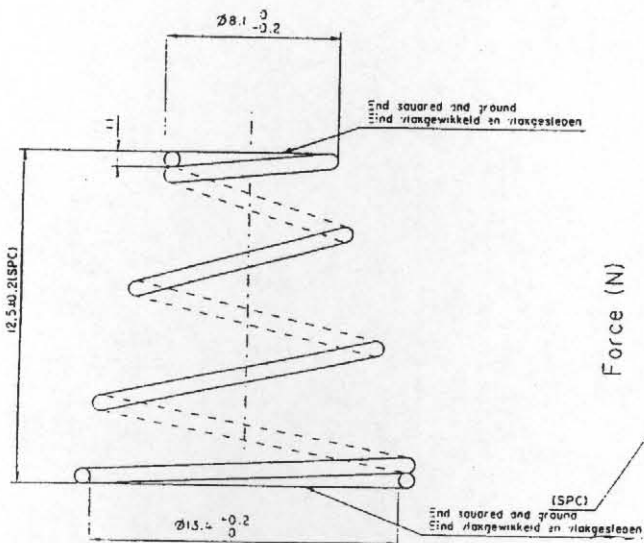


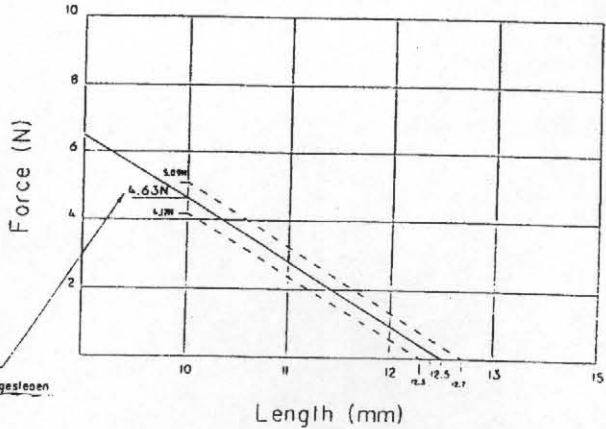
Fig 6b: Suspension Piece Parts



Parting-off point permitted (max 0.2)
 Afsteekpunt toegestaan (max 0.2)
 Free from burr and grease (ODS)
 Vrij van braam en vet (ODS)



Stiffness = 1850N/m
 Stijfheid = 1850N/m



Sketch turntable

